

PLEASE CHECK WWW.MOLEX.COM FOR LATEST PART INFORMATION

Part Number: [0987871016](#)
Status: **Active**
Overview: [mox crimp terminals](#)
Description: 2.54mm (.100") Pitch Pitch MOX Plug Housing, 6 Circuits, Blue

Documents:

[Application Specification \(PDF\)](#) [RoHS Certificate of Compliance \(PDF\)](#)
[Drawing \(PDF\)](#)

General

Product Family	Crimp Housings
Series	98787
Comments	2x3 Circuits, Contact Retention Force without secondary locking: 40N, with secondary locking: 60N
Overview	mox crimp terminals
Product Name	MOX

Physical

Circuits (maximum)	6
Circuits Detail	6 x 0.635 mm
Color - Resin	Blue
Gender	Male
Glow-Wire Compliant	No
Keying to Mating Part	None
Lock to Mating Part	Yes
Material - Resin	Nylon
Number of Rows	2
Packaging Type	Bag
Panel Mount	No
Pitch - Mating Interface (in)	0.100 In
Pitch - Mating Interface (mm)	2.54 mm
Pitch - Term. Interface (in)	0.100 In
Pitch - Term. Interface (mm)	2.54 mm
Polarized to Mating Part	Yes
Stackable	No
Temperature Range - Operating	-40°C to +100°C

Electrical

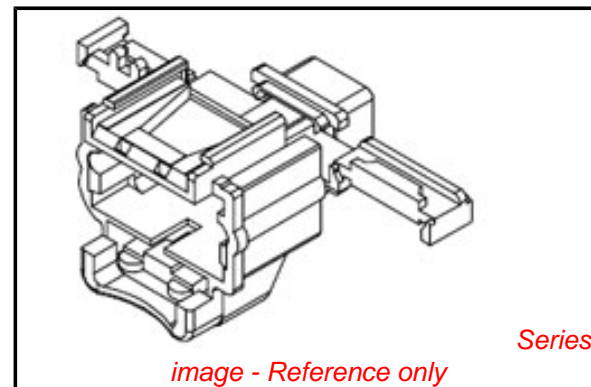
Current - Maximum per Contact	7.5A
-------------------------------	------

Material Info

Old Part Number	19916226
-----------------	----------

Reference - Drawing Numbers

Application Specification	AS-98787-001
Packaging Specification	PK-98787-001
Sales Drawing	SD-98787-001, SD-98787-002



EU RoHS

ELV and RoHS Compliant
REACH SVHC
Contains SVHC: No
Halogen-Free
Status

China RoHS



Not Reviewed

Need more information on product environmental compliance?

Email productcompliance@molex.com
 For a multiple part number RoHS Certificate of Compliance, [click here](#)

Please visit the [Contact Us](#) section for any non-product compliance questions.

Search Parts in this Series

[98787Series](#)

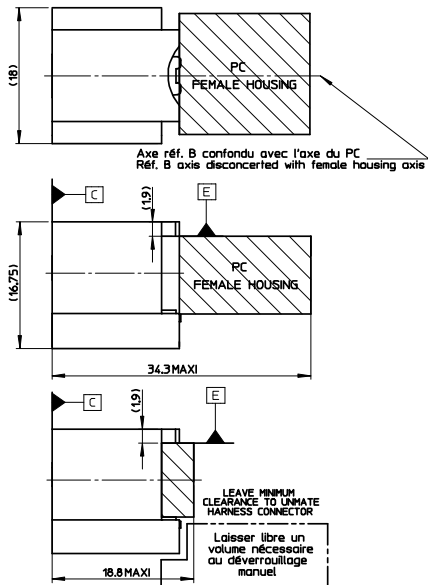
Mates With

[987861011](#) Wire-to-Wire, [981980001](#) Wire-to-Flex

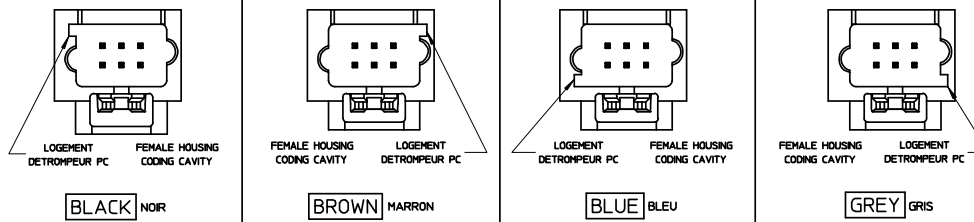
Use With

Contact Molex

OVERALL DIMENSIONS
ENCOUBREMENT



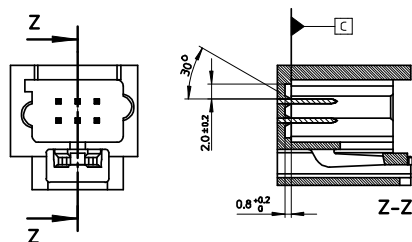
CODINGS / DETROMPAGES



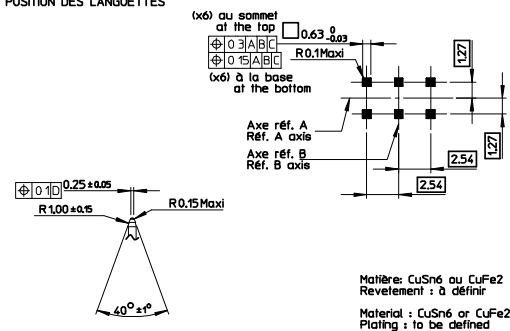
MODIFICATIONS

REV.	DESCRIPTIONS	NAME	DATE
A	X-RELEASED	PBO	07/03/15
B	SQUARE PINS: 0.63 0/-0.03 WAS 0.63 0/-0.30.	PGR	07/06/01
B1	SEE SHEET 2/2	VG	08/06/28

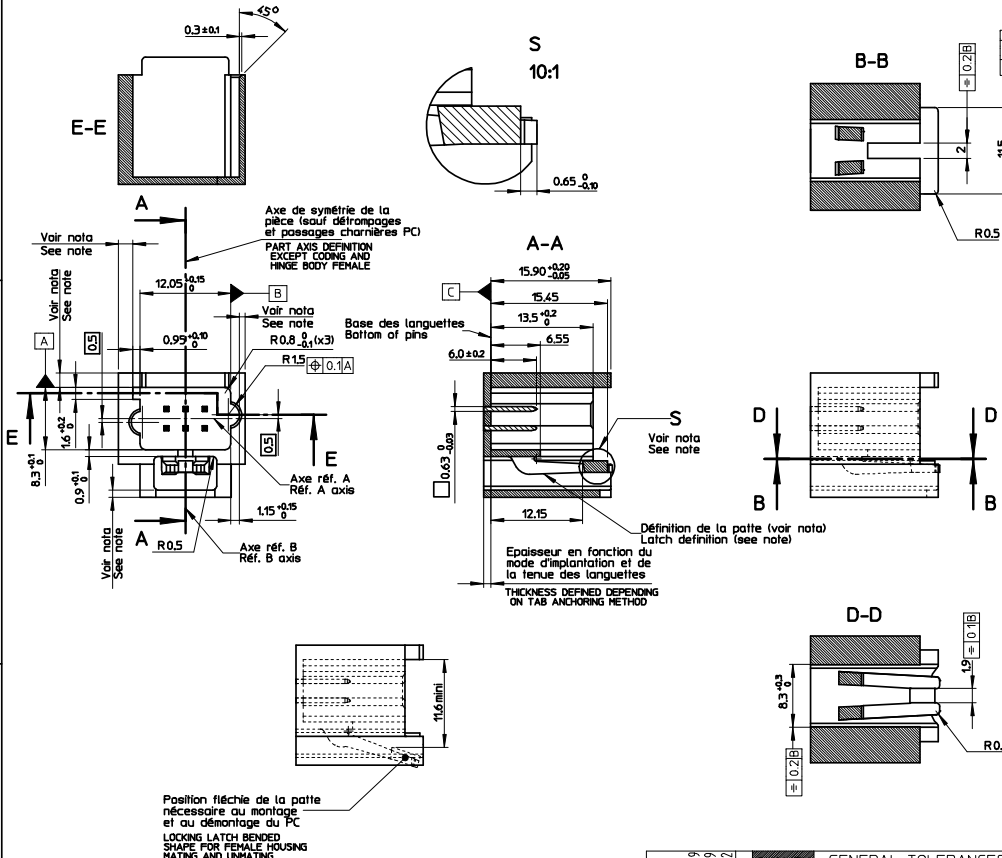
VARIANT PINS LOCATION
VARIANTE IMPLANTATION LANGUETTES



PINS POSITION
POSITION DES LANGUETTES



BLACK CODING SHOWN
DETROMPAGE NOIR REPRESENTE



NOTA :
1 - COTATION ET GEOMETRIE A DEFINIR EN FONCTION DE LA MATIERE (VOIR PLANCHE 2)

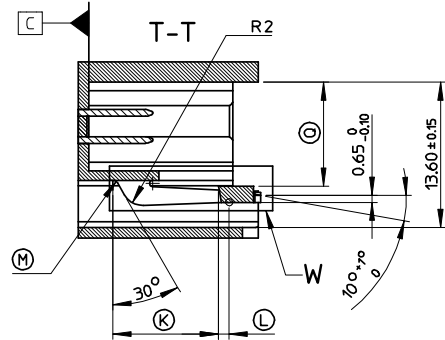
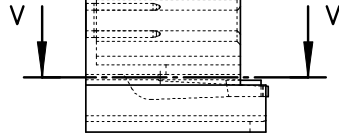
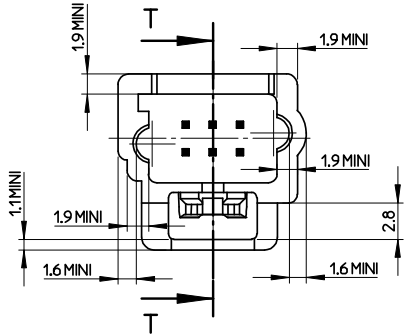
NOTE :
1 - DIMENSIONS AND GEOMETRY TO BE DEFINED ACCORDING MATERIAL (SEE SHEET 2)

REVIEW NOTE EC NO: GZ208-0509 DR/IN/INGIER N 2008/08/19 CHKD: JLDUCCLOS 2008/08/19 APPR/ST/LEGER 2008/08/22	QUALITY SYMBOLS 	GENERAL TOLERANCES (UNLESS SPECIFIED) mm INCH 4 PLACES ± --- ± --- 3 PLACES ± --- ± --- 2 PLACES ± --- ± --- 1 PLACE ± 0.1 ± --- ANGULAR ± 1°	DIMENSION STYLE MM ONLY	SCALE 3:1	DESIGN UNITS METRIC	FIRST ANGLE PROJECTION		
		DRAWN BY PBO DATE 2007/03/15	CHECKED BY DATE 2007/03/15	APPROVED BY DATE 2007/03/15	MATERIAL NO. N/A	SCALE 3:1	DESIGN UNITS METRIC	TITLE 6 CKT INTERFACE FEMALE HOUSING
		DRAFT WHERE APPLICABLE MUST REMAIN WITHIN DIMENSIONS	DOCUMENT NO. SD-98787-001	SHEET NO. 1 OF 2	Molex MOLEX INCORPORATED	THIS DRAWING CONTAINS INFORMATION THAT IS PROPRIETARY TO MOLEX INCORPORATED AND SHOULD NOT BE USED WITHOUT WRITTEN PERMISSION	MAPPING AND UNMATING	MAPPING AND UNMATING

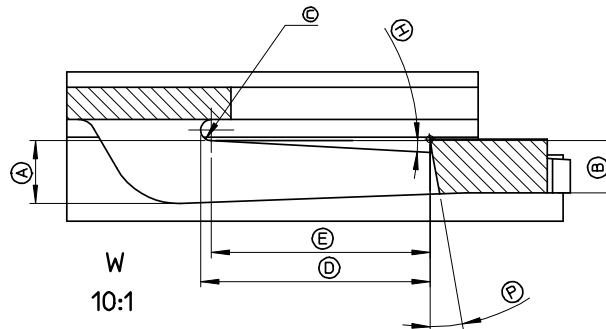
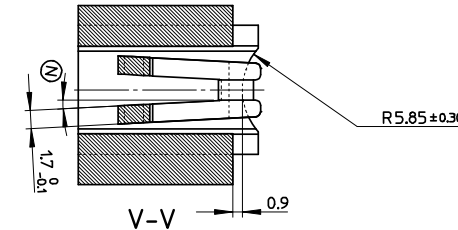
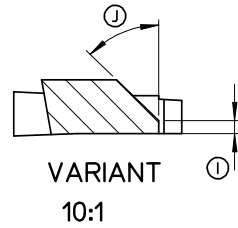
13 12 11 10 9 8 7 6 5 4 3 2 1

MODIFICATIONS

REV.	DESCRIPTIONS	NAME	DATE
A	X-RELEASED	PBO	07/03/15
B	REVISION UPDATE FOLLOWING SHEET 1 REVISION.	PGR	07/06/01
B1	DIM A for the PA 4.6 : FROM 7.75 0/-0.1 TO 1.75 0/-0.1	VG	08/06/26



	PBT	PA 6.6	PA 4.6 30% FV PA 4.6 GF 30%
(A)	1.8 ⁰ _{-0.1}	2.1 ⁰ _{-0.1}	1.75 ⁰ _{-0.1}
(B)	1.5 ⁰ _{-0.1}	1.5 ⁰ _{-0.1}	0.85 ± 0.15
(C)	∅ 6 ^{+0.1} ₀	∅ 6 ^{+0.1} ₀	∅ 1 ± 0.1
(D)			9.66 ± 0.1
(E)	6.15	6.15	
(H)	3°	3°	0° ± 30°
(I)	Pas de chanfrein	Pas de chanfrein	0.3 ± 0.1
(J)	No chamfer	No chamfer	30° ± 2°
(K)	9.6 ± 0.1	9.6 ± 0.1	12.81 ± 0.1
(L)	1 ± 0.1	1 ± 0.1	-
(M)	R0.5 ± 0.1	R0.5 ± 0.1	-
(N)	3° ± 1°	3° ± 1°	2.3° ± 1°
(P)	10° ^{+°} ₀	10° ^{+°} ₀	13°
(Q)	9.75 ± 0.1	9.75 ± 0.1	9.45 ± 0.1



NOTA :

1 - LES COTES SPECIFIEES SUR CETTE PLANCHE SONT VALABLES UNIQUEMENT POUR INFORMATION

2 - ELLES DOIVENT ETRE VALIDEES POUR CHAQUE APPLICATION DANS LE RESPECT DU C.D.C. FONCTIONNEL

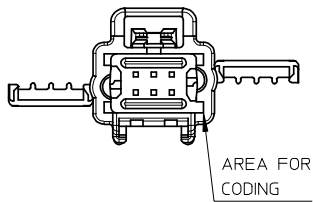
NOTES :

1 - DIMENSIONS ON THIS SHEET ARE JUST FOR INFORMATION

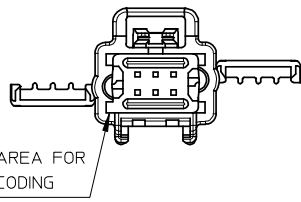
2 - THEY MUST BE APPROVED FOR EACH APPLICATION IN ORDER TO MEET SPECIFICATION

REVIEW NOTE EC NO: GZ008-0509 DRAWN: VGUERIN 2008/08/19 CHKD: JDUCLLOS 2008/08/19 APPR: LSTICKEIR 2008/08/22	QUALITY SYMBOLS 	GENERAL TOLERANCES (UNLESS SPECIFIED)		DIMENSION STYLE	SCALE	DESIGN UNITS	FIRST ANGLE	
				MM ONLY	3:1	METRIC	PROJECTION	
		4 PLACES ± ---	± ---	DRAWN BY	DATE	TITLE		
		3 PLACES ± ---	± ---	PBOSQUAIN	2007/03/15			
		2 PLACES ± ---	± ---	CHECKED BY	DATE	6 CKT INTERFACE FEMALE HOUSING		
1 PLACE ± 0.1	± ---	JDUCLLOS	2007/03/15					
ANGULAR ± 1°		APPROVED BY	DATE	MOLEX INCORPORATED				
DRAFT WHERE APPLICABLE MUST REMAIN WITHIN DIMENSIONS		LSTICKEIR	2007/03/15				DOCUMENT NO. SD-98787-001	
SIZE A 2		MATERIAL NO. N/A		THIS DRAWING CONTAINS INFORMATION THAT IS PROPRIETARY TO MOLEX INCORPORATED AND SHOULD NOT BE USED WITHOUT WRITTEN PERMISSION			SHEET NO. 2 OF 2	

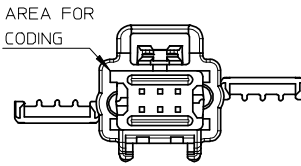
12 11 10 9 8 7 6 5 4 3 2 1



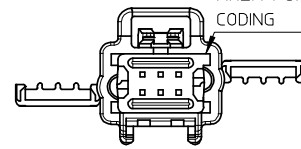
AREA FOR CODING



AREA FOR CODING



AREA FOR CODING



AREA FOR CODING

MATERIAL NUMBER
COLOR

0987871011
BLACK

MATERIAL NUMBER
COLOR

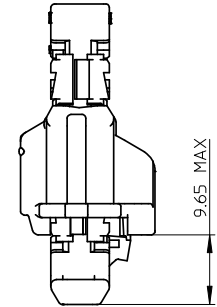
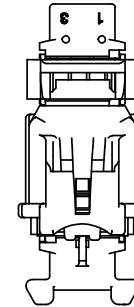
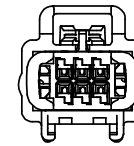
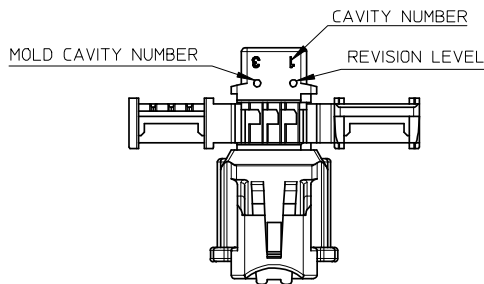
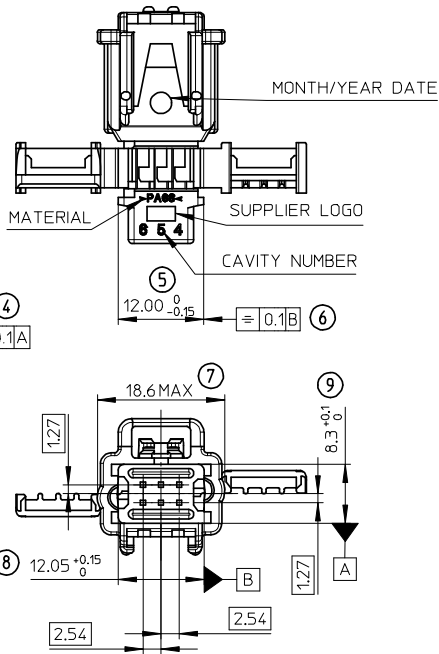
0987871019
BROWN

MATERIAL NUMBER
COLOR

0987871018
GREY

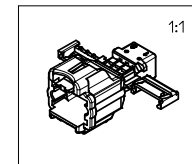
MATERIAL NUMBER
COLOR

0987871016
BLUE



NECESSARY VOLUME FOR THE HOUSING ASSEMBLY.
ALLOW AN ADDITIONAL VOLUME FOR THE UNMATING

- NOTES :
- 1-MATERIAL : POLYAMIDE (PA66) UNFILLED , UL94V-2
 - 2-USE WITH : MQS [®] PIN TERMINAL OR COMPATIBLE
 - 3-APPLICATION SPECIFICATION : AS-98787-001
 - 4-MATE WITH : SERIES 98786
 - 5-WEIGHT : 2.150 g



FIRST RELEASE EC NO: G2008-0366 DRAWN: VGUERIN 2008/03/25 CHKO: JLDUCLOS 2008/03/25 APPR: LSTICKEIR 2008/03/27	DESCRIPTION	GENERAL TOLERANCES (UNLESS SPECIFIED)		DIMENSION STYLE	SCALE	DESIGN UNITS	THIRD ANGLE PROJECTION		
				MM ONLY	2:1	METRIC			
				TITLE	MOX PIN HSG 0.635 6CKT				
				MATERIAL NO. SD-98787-002					
				DOCUMENT NO. 1 OF 1					
		DRAFT WHERE APPLICABLE MUST REMAIN WITHIN DIMENSIONS		SEE CHART		THIS DRAWING CONTAINS INFORMATION THAT IS PROPRIETARY TO MOLEX INCORPORATED AND SHOULD NOT BE USED WITHOUT WRITTEN PERMISSION			